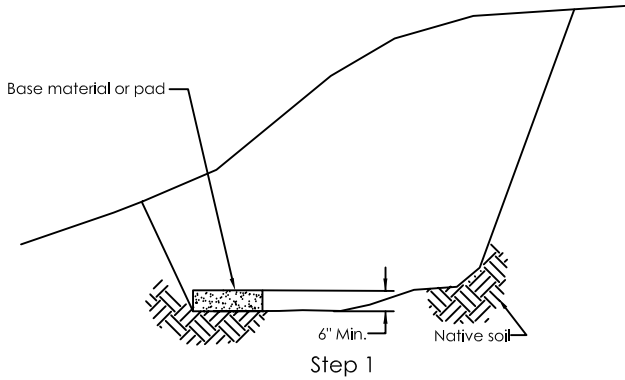
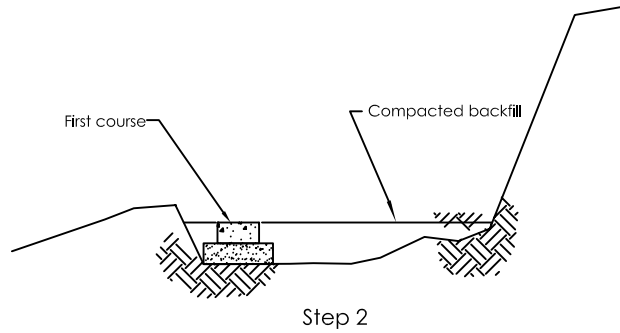


Wall Construction Sequence With Classic Colonial

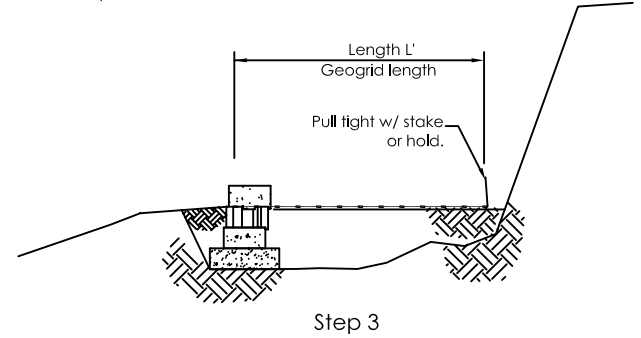
- Excavate trench for a level base, remove all organic and unsuitable soils and compact.
- Install compacted granular base material or concrete leveling pad.
- Check levelness of base material or leveling pad.



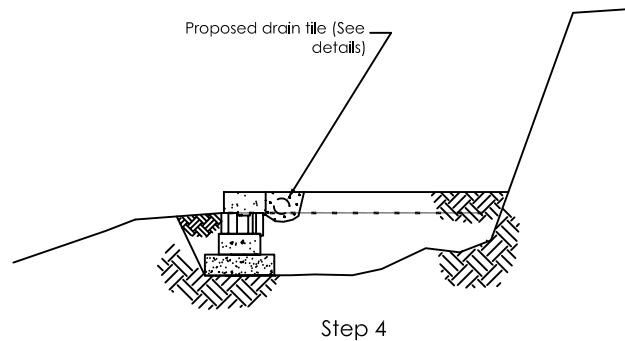
- Check all line grade and curves.
- Install first course insuring all blocks are level; both side to side and front to back.
- Align back side of face to insure a straight installation.
- Set units side by side, so they are touching.
- Place and compact backfill behind and in front of the first course.
- Sweep top of block.
- Re-check levelness.



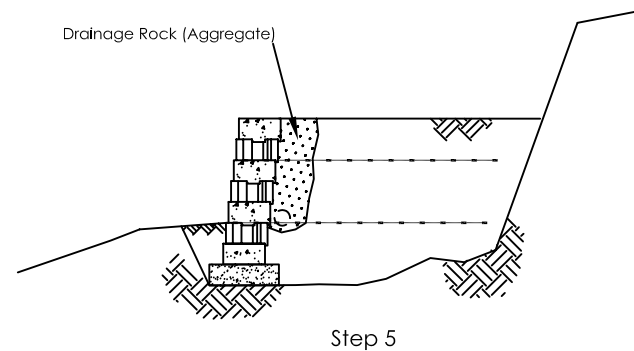
- Install next course by offsetting the center of block over the seams of previous course.
- Continue placing courses until geogrid placement is required.
- Place and compact 8" max. lifts.
- Place geogrid over block and lay over compacted backfill.
- Place next course of block over geogrid.
- Pull geogrid tight, keep tension applied until backfill is placed; staples or stakes may be used to maintain tension.



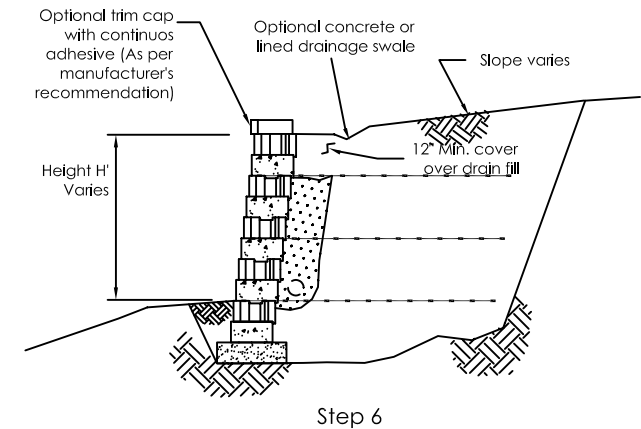
- Place drain tile above the finish grade in front of wall with drainage rock behind wall.
- Place compacted backfill behind drainage rock.
- Place additional block courses by repeating step 3.
- Place a minimum of one foot drainage rock behind wall.
- Place compacted backfill behind drainage rock.



- Continue wall construction to full height.
- Place additional block course by repeating step 3.
- Place geogrid at required heights and lengths (see attached sheets) by repeating step 4.



- Repeat steps 3 thru 5 until wall is at required height.
- Install cap units, final backfill and optional drainage swale.



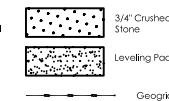
This drawing is furnished for preliminary design purposes only, and should not be used for final design drawings or construction drawings without the certification of a professional engineer registered in the state in which the wall will be constructed

No.	Date	Revision	By

PREPARED BY:



ROCKWOOD
RETAINING WALLS
A better way



Legend

Project Name:	XX
Project Location:	YY
Drawing Description:	Wall Construction Sequence

Prepared For:	CCC DDD
Drawn By:	
Checked By:	
Sheet # of \$	
Date:	MM/DD/YYYY
Project Number:	WWWPRO#