

# Block Dimensions

## Premier 8™

### General Information

Absorption: Meets or exceeds ASTM C140 standards

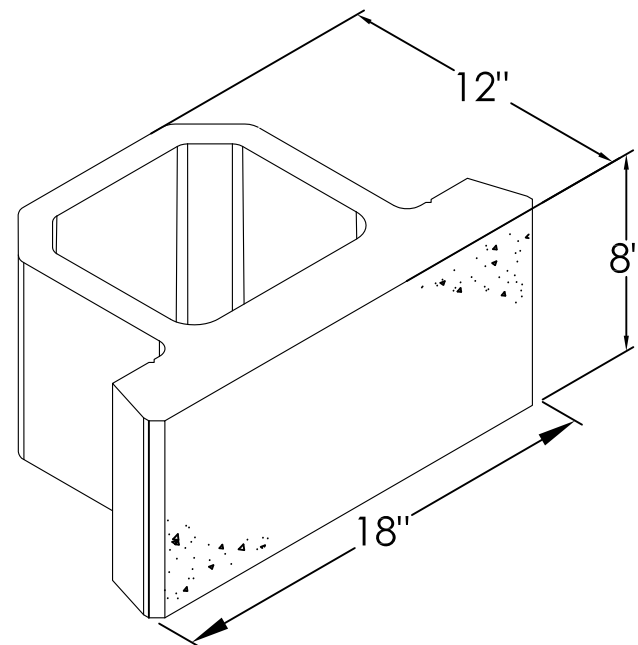
Compressive strength: ≥ 3000 PSI Approximate minimum (unless otherwise specified)

### Unit Information

Straight Split Unit: 8"H X 18"W X 12"D, 54 Lbs. Approx. . . . . 1.00 Sq. Ft. Face

### Face Options

Face Patterns: Straight Split Face



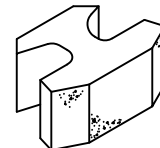
Premier 8 Unit (Straight Split)

Not to Scale

This drawing is furnished for preliminary design purposes only, and should not be used for final design drawings or construction drawings without the certification of a professional engineer registered in the state in which the wall will be constructed. These drawings are "typical" and may be amended or revised by the SRW engineer based on project site conditions and purposes.

No.	Date.	Revision.	By.

PREPARED BY:



**ROCKWOOD**  
RETAINING WALLS  
*A better way.*

#### Legend

Project Name:	XX
Project Location:	YY
Drawing Description:	Block Dimensions

Prepared For:	CCC DDD
Drawn By:	xxx
Checked By:	yyy
Sheet # of \$	
Date:	MM/DD/YYYY
Project Number:	WWWPRO#